

Using the Toilet Kart is very easy, however you may want to practice with an old toilet until you are confident with the method.

### Prepare Toilet

Remove tank lid (very important!).

Turn off water.

Flush Toilet.

Clean under toilet bowl rim with toilet brush & remove some water from bowl to prevent spillage. A plunger will push water out of the bowl.

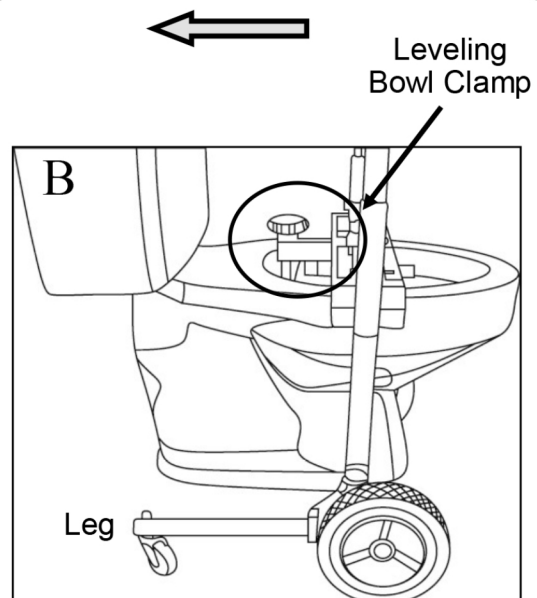
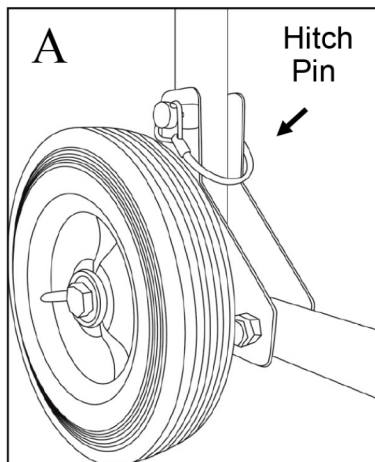
Undo closet bolts.

Slight upward pressure on closet bolts will hold them up during removal of the nuts.

### Get Toilet Kart Ready to Use

There are three parts to the Toilet Kart that need repositioned from their shipping location.

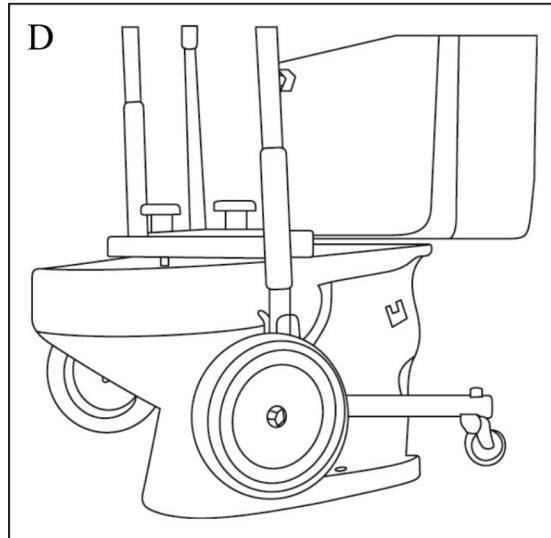
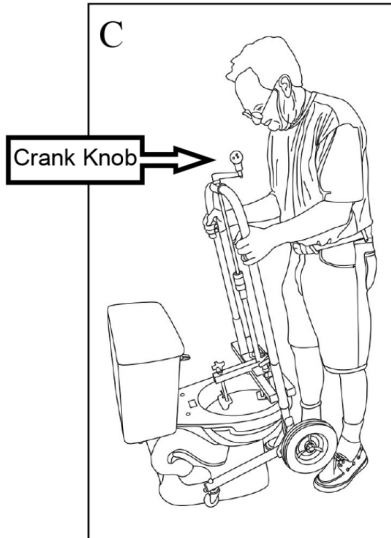
1. Remove all tape and packaging materials (including the red plastic caps on the bottom of the upright frame).
2. Crank Knob (located at the very top of the Toilet Kart): You receive it upside down. This needs to be removed with a 7/16" wrench and reattached right side up.
3. Wheel Assemblies: Install so wheels are on outside of Upright Frame. Place Hitch Pin in Hole. (illustration A)
4. Leveling Bowl Clamp: Leveling bowl clamp needs to face in same direction as Legs. (illustration B)



### Place Toilet Kart onto Toilet

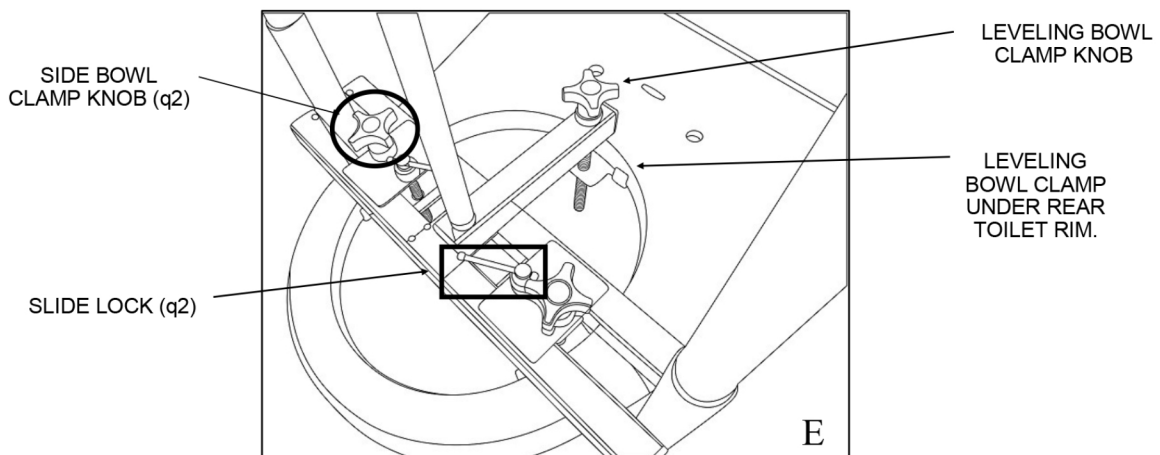
illustrations C & D

1. Lift and place Toilet Kart onto the center of the toilet bowl.
2. Rotate the crank knob to lower the Clamp Bar onto the bowl until all 4 wheels of the Toilet Kart are off the ground, approx. 1 inch or more. This is a very important step to ensure the toilet's security.



### Lock onto Toilet illustration E

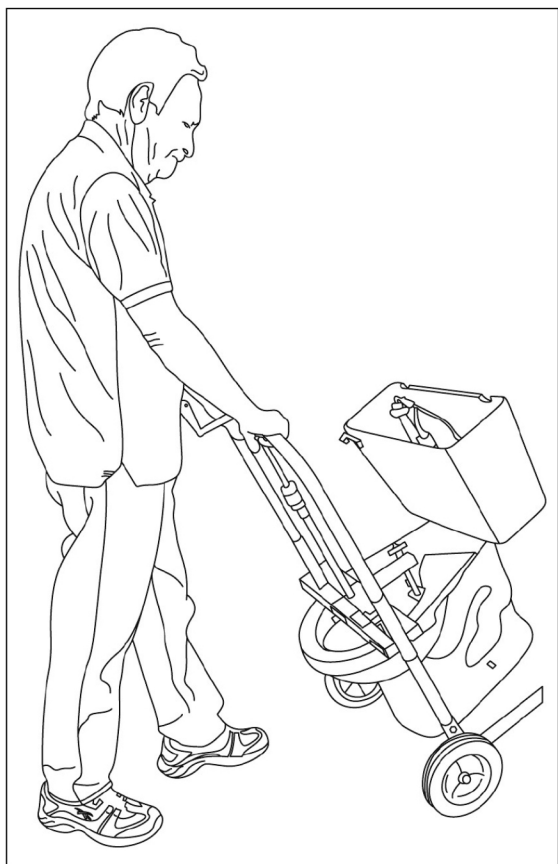
1. Push the Kart forward and center on the toilet.
  1. Be sure the Leveling Bowl Clamp is against & under the rear toilet rim.
  3. Move one Side Bowl Clamp against & under rim. Be sure there is square contact with rim. Tighten the slide lock (until snug) and then tighten knob (until snug).
  4. Repeat on other side.
  5. Tighten Leveling Bowl Clamp Knob until snug.  
This clamp can be used to level bowl when raised.
- If process is unclear, request from us a demo video.



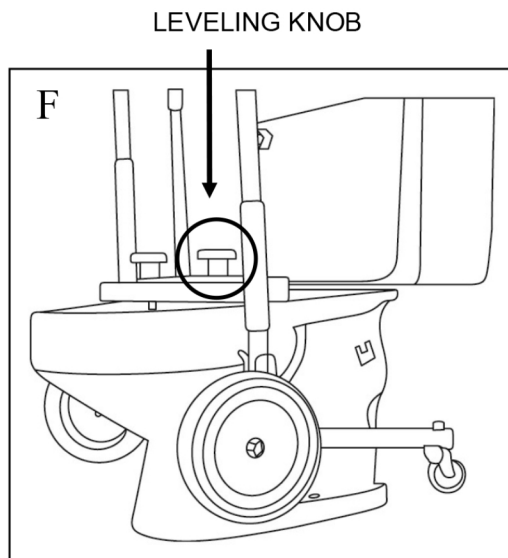
### Move Toilet

1. Be sure that the Toilet's Tank Lid has been removed.
2. Crank up the toilet to the desired height for transport.
3. Slight upward pressure on closet bolts will hold them up during removal of the nut.
4. The Leveling Knob (knob closest to tank) keeps the toilet level when raising or lowering toilet. (illustration F)

Option: To fit into narrow work space, wheels can be reversed to the inside of the Toilet Kart by exchanging one wheel assembly for the other...right wheel on left side, left wheel on right side. (rarely necessary) (illustration G)



OK TO TIP BACK FOR TRANSPORT  
OVER UNEVEN GROUND



WHEELS SHOWN REVERSED

